

# High Capacity Telehandlers

TF50.8T-170EE-HF



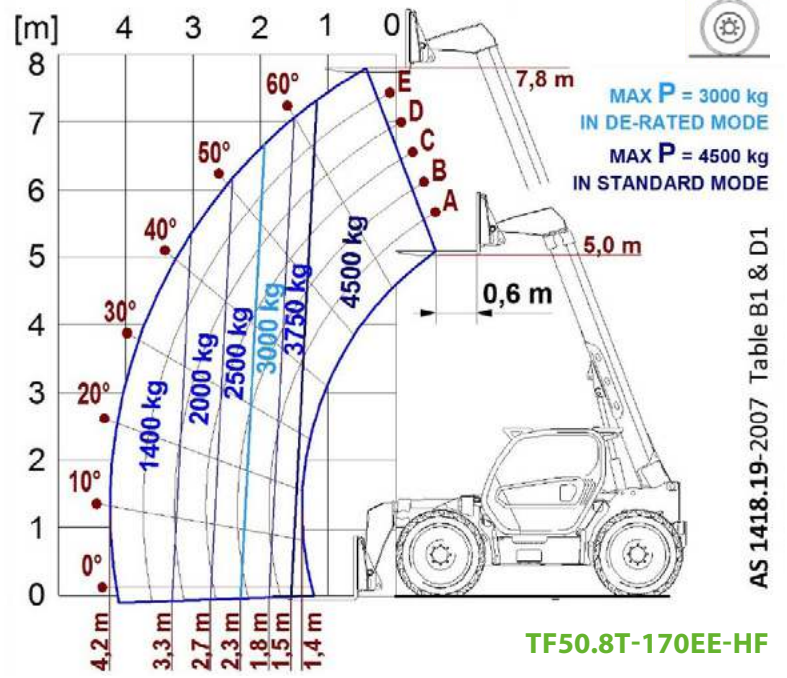


PERFORMANCE AND FEATURES	TF50.8T-170EE-HF		
<b>Performance</b>			
Total unladen weight (kg)	9700		
Maximum capacity (kg)	4500		
Lifting height (m)	7.8		
Maximum reach (m)	4.2		
Maximum operating height (m)	7.8		
Maximum operating reach (m)	1.4		
Capacity at maximum height (kg)	5000		
Capacity at maximum reach (kg)	1600		
Lateral boom movement (mm)	-		
Tilting correction (%)	± 8		
Boom sections	2		
<b>PowerTrain</b>			
Turbo motor	FPT NEF45		
Displacement/cylinders	4500/4		
Engine Power (kW/HP)	125/170		
Anti-pollution technology	TIER 2		
Reversible fan	○		
Maximum speed (km/h)	40		
Fuel tank (l)	140		
AdBlue tank (l)	-		
Hydrostatic transmission	● - 2V		
EPD	Plus		
Auto-revving joystick	●		
Axles - Reducers	Axial, Epicyclic		
Machine brakes	Dry disc		
Automatic parking brake	●		
<b>Hydraulic</b>			
Hydraulic pump	HF*		
Flow rate/pressure (l/min - bar)	160 - 250		
Hydraulic tank	100		
Hydraulic outlet at the top of the boom	●		
Rear hydraulic outlets	○		
<b>Cab</b>			
Cab configuration	Premium		
ASCS Adaptive Stability Control System	Full		
FOPS LIV II cab	●		
ROPS cab	●		
Cab commands	Electronic joystick		
Tilting Cab	-		
Reverse shuttle	Dual reverse		
<b>Configuration</b>			
Cab suspension	●		
Boom suspension	●		
Suspension on axles	-		
Work headlights on cab	●		
Sun blind	●		
Tac-lock	●		
Provision for a platform	○		
Two floating forks	●		
Inching-Control	●		
Four-wheel drive	●		
Four-wheel steering	●		
Three steering modes	●		
Standard tyres	500/70-24"		
Optional tyres	440/80-R24; 600/55-26.5; 500/70-R24, 17.5-25		
Stabilisers	-		
Turret rotation	-		
Type approval as an agricultural tractor	○		
Approval with PNEUMATIC braking	○		
Approval with HYDRAULIC braking	○		
PTO	-		
3-point linkage	-		

\*LS + FS + oversized distributor

- Not Available  
● Standard  
○ Optional

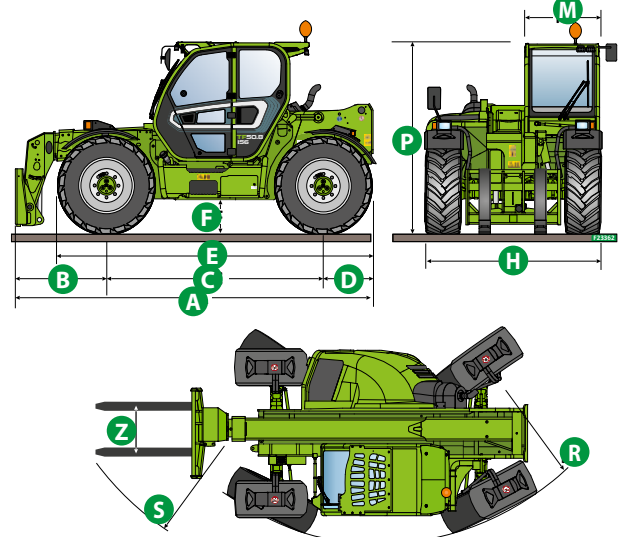
## Load charts



## Dimensions



	TF50.8T-170EE-HF		
A (mm)	4870		
B (mm)	1170		
C (mm)	3050		
D (mm)	650		
E (mm)	4360		
F (mm)	440		
H (mm)	2400		
M (mm)	1010		
P (mm)	2590		
R (mm)	3830		
S (mm)	4800		
Z (mm)	850		



**Your Merlo dealer**



**SYDNEY:** Unit 6 2/10 Dunn Rd, Smeaton Grange NSW 2567

**CANBERRA:** 1 Paterson Parade, Queanbeyan West NSW 2620

**WOLLONGONG:** 6 Mineral Rd, Oak Flats NSW 2529

**(02) 4728 7500**

**sales@stmequipment.com.au**

**TF50.8T-170EE-HF:**

\_\_\_ - VIN: \_\_\_ - SAV: \_\_\_ - \_\_\_

**MERLO GROUP AUSTRALIA PTY LTD**

27 Colin Jamieson Dve, Welshpool (Perth), WA 6106

Tel. (08) 9358 3110 - Fax (08) 9358 4110

120 Toongabbie Road, Girraween, NSW 2145

Tel. (02) 9688 0600

Tel:1300 657 325

**info@merloaustralia.com.au**

**www.merlo.com**

