

Performance Design

With the release of the SK140SRL, Kobelco has completely harmonised the values of PERFORMANCE and DESIGN. The SK140SRL delivers greater efficiency and productivity with increased power and speed, along with uncompromising operator comfort and machine operability.

SK140SRL LOGGING SPECIFICATION

Wide shoes ensure plenty of traction

You can count on smooth and dependable travel with longer crawlers and wider shoes that are usually used on larger machines.



Ground Pressure: **32 kPa** at **800 mm** shoe

Digging cycle time

Improved by **10%**
(Compared to the SK140SRLC-5 model)



iNDr



How the filter catches dust

iNDr Filter

A high-density stainless steel mesh filter blocks dust and debris from entering the cooling package during air intake. This prevents the cooling package and air cleaner from clogging, allowing the machine to maintain cooling performance. The ridges of the corrugated filter allow air to pass through, while the grooves collect dust and debris, preventing the filter from clogging.

The ultimate sleek and stylish cab design

The jog dial integrates multiple functions to allow for simple navigation of the machine information screen. In addition, LED backlighting on the switches and dials provides a bright, clear view of the controls even in the dark, while delivering a premium look and feel.



10-inch colour monitor – the largest in the industry

The easy-to-operate menu screen facilitates easy reading and navigation. Images from the built-in cameras can be checked on the large screen, which helps to improve safety.



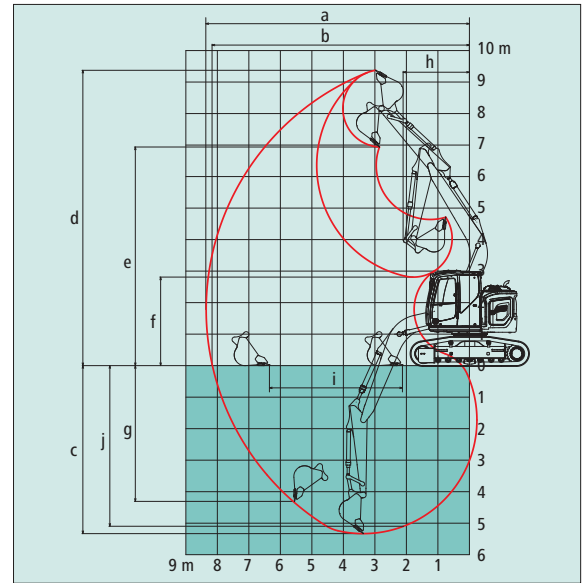
Specifications

Model		SK140SRL		
Type		SK140SRL-7		
PERFORMANCE				
Bucket Capacity (ISO heaped)	m ³	0.5		
Swing Speed	min ⁻¹	11.0		
Travel Speed	km/h	5.3/3.0		
Gradeability	% (degree)	70 (35)		
Bucket Digging Force	kN	105.4		
Arm Crowding Force	kN	64.0		
Drawbar Pulling Force	kN	153		
ENGINE				
Model		ISUZU MOTORS LIMITED 4JJ1XDRAC-01		
Type		Four cycle, water cooled, overhead camshaft, vertical in-line, direct injection type, with turbocharger		
Power Output (ISO14396)	kW/min ⁻¹	86/2,200		
Max. Torque (ISO14396)	N-m/min ⁻¹	375/1,800		
Displacement	L	2.999		
Fuel Tank	L	186		
DEF/Urea Tank	L	20.7		
HYDRAULIC SYSTEM				
Pumps		Double variable displacement axial piston pumps with extra gear pump		
Max. Discharge Flow	L/min	2 x 142 + 1 x 60		
Relief Valve Setting (main)	MPa	34.3		
Swing circuit	MPa	28.0		
Travel circuit	MPa	34.3		
Hydraulic Oil Tank (System)	L	89.9 (176.0)		
WEIGHT				
Counterweight		Standard		
Shoe Width	mm	600	700	800
Operating Weight	kg	16,600	16,800	17,100
Ground Pressure	kPa	41.1	35.8	31.8
Counterweight		+ 580 kg		
Shoe Width	mm	600	700	800
Operating Weight	kg	17,200	17,400	17,700
Ground Pressure	kPa	42.6	37.0	32.9
Counterweight		+ 1,000 kg		
Shoe Width	mm	600	700	800
Operating Weight	kg	17,600	17,900	18,100
Ground Pressure	kPa	43.6	37.9	33.6

WORKING RANGES

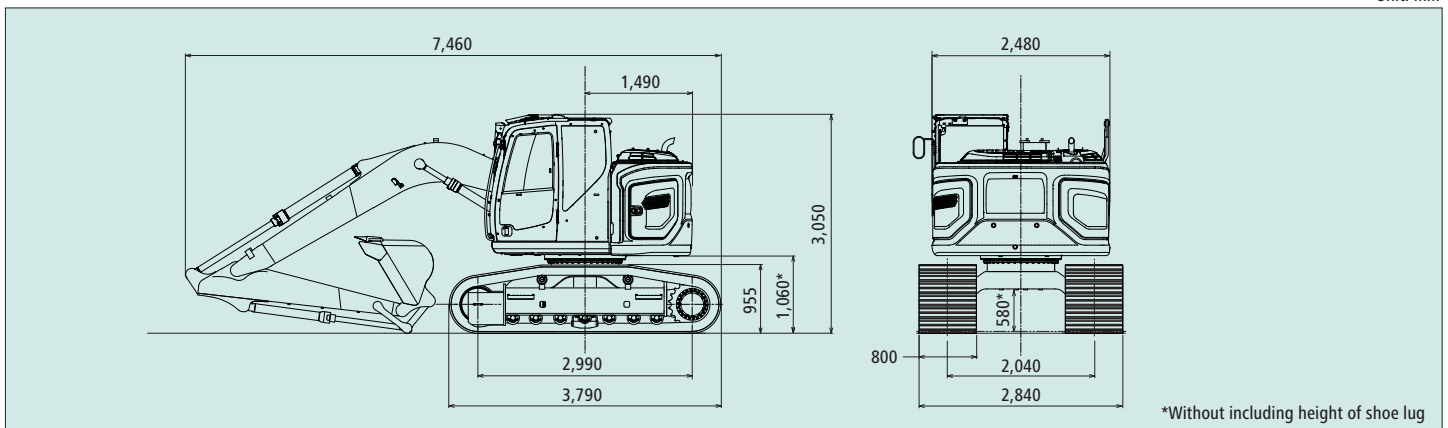
Unit: m

MODEL	SK140SRL
Arm length	2.38 m
a- Max. digging reach	8.37
b- Max. digging reach at ground level	8.17
c- Max. digging depth	5.33
d- Max. digging height	9.37
e- Max. dumping clearance	6.94
f- Min. dumping clearance	2.81
g- Max. vertical wall digging depth	4.31
h- Min. swing radius	2.13
i- Horizontal digging stroke at ground level	4.22
j- Digging depth for 8' (2.4 m) flat bottom	5.10
Bucket capacity (ISO heaped)	0.5 m ³



GENERAL DIMENSIONS

Unit: mm



Note: This catalogue may contain attachments and optional equipment that are not available in your area. And it may contain photographs of machines with specifications that differ from those of machines sold in your areas. Please consult your nearest KOBELCO distributor for those items you require. Due to our policy of continuous product improvements all designs and specifications are subject to change without advance notice. Copyright by **KOBELCO CONSTRUCTION MACHINERY CO., LTD.** No part of this catalogue may be reproduced in any manner without notice.

KOBELCO CONSTRUCTION MACHINERY CO., LTD.

5-15 kitashinagawa 5-chome, Shinagawa-ku, Tokyo 141-8626 JAPAN
Tel: +81 (0) 3-5789-2146 Fax: +81 (0) 3-5789-2135
www.kobelco-kenki.co.jp/english_index.html

Enquiries To:

KOBELCO is the corporate mark used by Kobe Steel on a variety of products and in the names of a number of Kobe Steel Group companies.

SK140SRL-7-101-200901NF