

Tractor Telehandlers

MF44.9CSEE

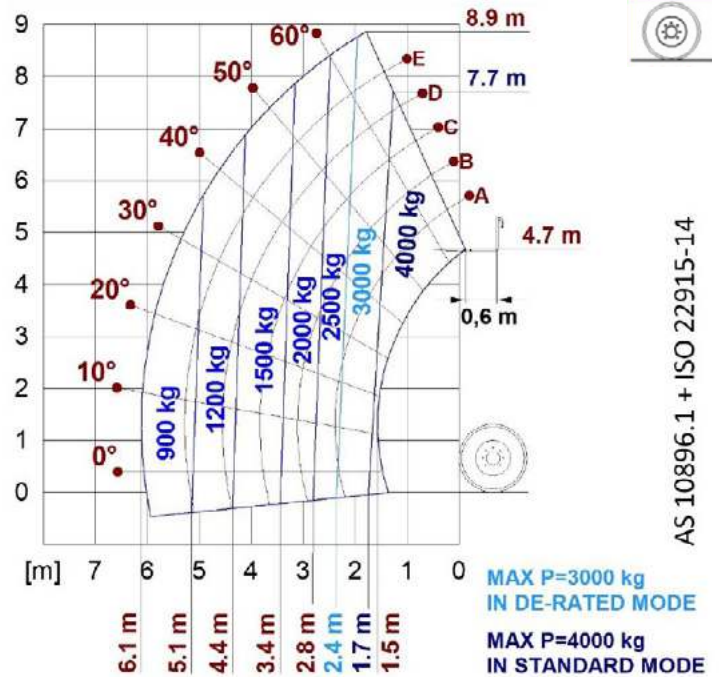




PERFORMANCE AND FEATURES	MF44.9CSEE		
Performance			
Total unladen weight (kg)	9050		
Maximum capacity (kg)	4000		
Lifting height (m)	8.9		
Maximum reach (m)	6.1		
Maximum operating height (m)	7.7		
Maximum operating reach (m)	1.7		
Capacity at maximum height (kg)	3000		
Capacity at maximum reach (kg)	900		
Lateral boom movement (mm)	-		
Tilting correction (%)	± 8		
Boom sections	3		
PowerTrain			
Turbo motor	FPT NEF45		
Displacement/cylinders	4500/4		
Engine Power (kW/HP)	125/170		
Anti-pollution technology	TIER 2		
Reversible fan	○		
Maximum speed (km/h)	40		
Fuel tank (l)	150		
AdBlue tank (l)	-		
Hydrostatic transmission	CVTronic		
EPD	Plus		
Auto-revving joystick	●		
Axles - Reducers	Axial, Epicyclic		
Machine brakes	Dry discs		
Automatic parking brake	●		
Hydraulic			
Hydraulic pump	LS+FS		
Flow rate/pressure (l/min - bar)	150 - 210		
Hydraulic tank	96		
Hydraulic outlet at the top of the boom	●		
Rear hydraulic outlets	4 - ●		
Cab			
Cab configuration	Premium		
ASCS Adaptive Stability Control System	Full		
FOPS LIV II cab	●		
ROPS cab	●		
Cab commands	Electronic joystick		
Tilting Cab	-		
Reverse shuttle	Dual reverse		
Configuration			
Cab suspension	●		
Boom suspension	○		
Suspension on axles	-		
Work headlights on cab	●		
Sun blind	●		
Tac-lock	●		
Provision for a platform	○		
Two floating forks	●		
Inching-Control	●		
Four-wheel drive	●		
Four-wheel steering	●		
Three steering modes	●		
Standard tyres	500/70-R24		
Optional tyres	500/70 R24; 500/70-24"; 600/55 -26.5"; 500/70 R22.5		
Stabilisers	-		
Turret rotation	-		
Type approval as an agricultural tractor	-		
Approval with PNEUMATIC braking	-		
Approval with HYDRAULIC braking	-		
PTO	●		
3-point linkage	●		

- Not Available
● Standard
○ Optional

Load charts

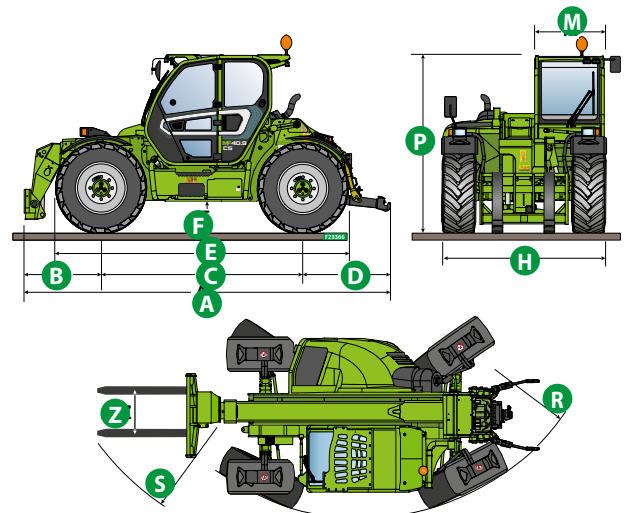


MF44.9CSEE

Dimensions



	MF44.9CS EE		
A (mm)	5570		
B (mm)	1340		
C (mm)	2950		
D (mm)	1280		
E (mm)	4270		
F (mm)	440		
H (mm)	2400		
M (mm)	1010		
P (mm)	2590		
R (mm)	4090		
S (mm)	5020		
Z (mm)	850		



Your Merlo dealer

MF44.9CSEE:

___ - VIN: ___ - SAV: ___ - ___

MERLO GROUP AUSTRALIA PTY LTD

27 Colin Jamieson Dve, Welshpool (Perth), WA 6106

Tel. (08) 9358 3110 - Fax (08) 9358 4110

120 Toongabbie Road, Girraween, NSW 2145

Tel. (02) 9688 0600

Tel:1300 657 325

info@merloaustralia.com.au

www.merlo.com

