

# Compact Telehandlers

P27.6AU PLUS

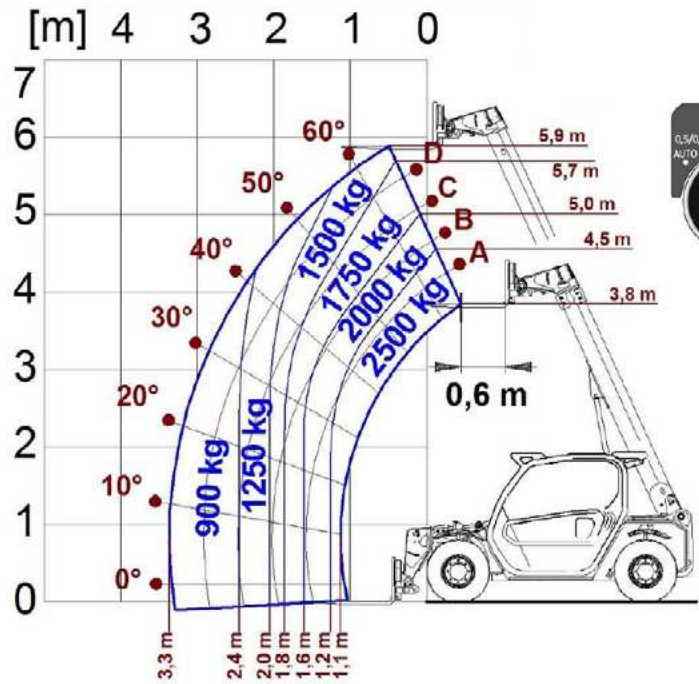




PERFORMANCE AND FEATURES	P27.6 AU PLUS		
<b>Performance</b>			
Total unladen weight (kg)	4850		
Maximum capacity (kg)	2500		
Lifting height (m)	5.9		
Maximum reach (m)	3.3		
Maximum operating height (m)	4.6		
Maximum operating reach (m)	1.2		
Capacity at maximum height (kg)	1800		
Capacity at maximum reach (kg)	1000		
Lateral boom movement (mm)	-		
Tilting correction (%)	-		
Boom sections	2		
<b>PowerTrain</b>			
Turbo motor	KOHLER KD2504 TCR		
Displacement/cylinders	2500/4		
Engine Power (kW/HP)	55,4/75,1		
Anti-pollution technology	TIER 4 - DOC		
Reversible fan	-		
Maximum speed (km/h)	40		
Fuel tank (l)	70		
AdBlue tank (l)	-		
Hydrostatic transmission	● - 1V		
EPD	-		
Auto-revving joystick	-		
Axles - Reducers	Axial, Epicyclic		
Machine brakes	Dry disc		
Automatic parking brake	●		
<b>Hydraulic</b>			
Hydraulic pump	Gear		
Flow rate/pressure (l/min - bar)	95-210		
Hydraulic tank	70		
Hydraulic outlet at the top of the boom	●		
Rear hydraulic outlets	○		
<b>Cab</b>			
Cab configuration	ECO		
ASCS Adaptive Stability Control System	Full		
FOPS LIV II cab	●		
ROPS cab	●		
Cab commands	Electromechanic joystick		
Tilting Cab	-		
Reverse shuttle	Finger touch		
<b>Configuration</b>			
Cab suspension	-		
Boom suspension	●		
Suspension on axles	-		
Work headlights on cab	○		
Sun blind	○		
Tac-lock	●		
Provision for a platform	○		
Two floating forks	●		
Inching-Control	●		
Four-wheel drive	●		
Four-wheel steering	●		
Three steering modes	●		
Standard tyres	12-16.5		
Optional tyres	12/75-18; 300/80-15.3		
Stabilisers	-		
Turret rotation	-		
Type approval as an agricultural tractor	-		
Approval with PNEUMATIC braking	-		
Approval with HYDRAULIC braking	-		
PTO	-		
3-point linkage	-		

- Not Available  
● Standard  
○ Optional

## Load charts

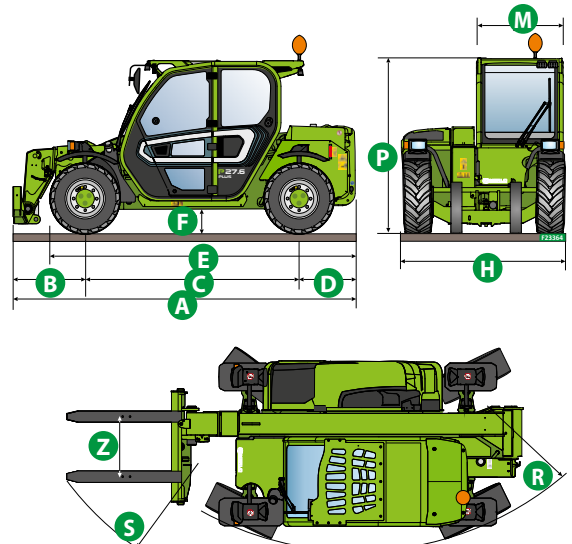


**P27.6AUPLUS**

## Dimensions



	<b>P27.6 AU PLUS</b>		
A (mm)	3910		
B (mm)	820		
C (mm)	2450		
D (mm)	640		
E (mm)	3495		
F (mm)	270		
H (mm)	1860		
M (mm)	1010		
P (mm)	1960		
R (mm)	3370		
S (mm)	4200		
Z (mm)	850		



**Your Merlo dealer**

**P27.6AUPLUS:**

MA00802 - VIN: D1005633 - SAV: D146213 - 15/11/2021

**MERLO GROUP AUSTRALIA PTY LTD**

27 Colin Jamieson Dve, Welshpool (Perth), WA 6106

Tel. (08) 9358 3110 - Fax (08) 9358 4110

120 Toongabbie Road, Girraween, NSW 2145

Tel. (02) 9688 0600

Tel:1300 657 325

[info@merloaustralia.com.au](mailto:info@merloaustralia.com.au)

[www.merlo.com](http://www.merlo.com)

