

High Capacity Telehandlers

P72.10EE

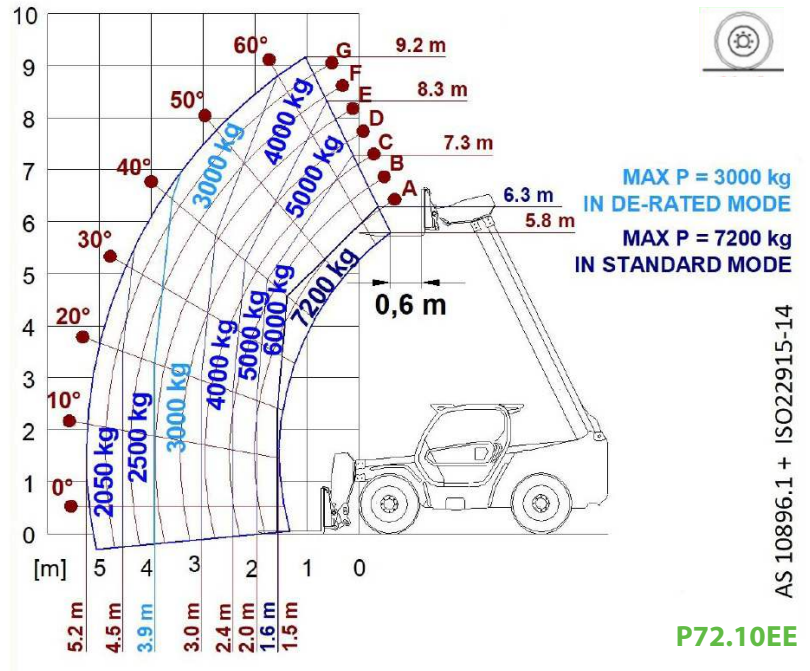




PERFORMANCE AND FEATURES	P72.10EE		
Performance			
Total unladen weight (kg)	11150		
Maximum capacity (kg)	7200		
Lifting height (m)	9.2		
Maximum reach (m)	5.2		
Maximum operating height (m)	6.56		
Maximum operating reach (m)	2		
Capacity at maximum height (kg)	4000		
Capacity at maximum reach (kg)	2100		
Lateral boom movement (mm)	± 250		
Tilting correction (%)	± 8		
Boom sections	2		
PowerTrain			
Turbo motor	PERKINS		
Displacement/cylinders	3600/4		
Engine Power (kW/HP)	85,9/116,8		
Anti-pollution technology	TIER 3		
Reversible fan	●		
Maximum speed (km/h)	40		
Fuel tank (l)	140		
AdBlue tank (l)	-		
Hydrostatic transmission	● - 2V		
EPD	Plus		
Auto-revving joystick	●		
Axles - Reducers	Drop portal - RR700		
Machine brakes	Dry discs		
Automatic parking brake	●		
Hydraulic			
Hydraulic pump	LS		
Flow rate/pressure (l/min - bar)	108 - 250		
Hydraulic tank	100		
Hydraulic outlet at the top of the boom	●		
Rear hydraulic outlets	○		
Cab			
Cab configuration	ECO		
ASCS Adaptive Stability Control System	Full		
FOPS LIV II cab	●		
ROPS cab	●		
Cab commands	Electronic joystick		
Tilting Cab	-		
Reverse shuttle	Dual reverse		
Configuration			
Cab suspension	-		
Boom suspension	-		
Suspension on axles	-		
Work headlights on cab	○		
Sun blind	○		
Tac-lock	●		
Provision for a platform	○		
Two floating forks	●		
Inching-Control	●		
Four-wheel drive	●		
Four-wheel steering	●		
Three steering modes	●		
Standard tyres	400/70-24		
Optional tyres	18R22,5; 445/65R22,5		
Stabilisers	-		
Turret rotation	-		
Type approval as an agricultural tractor	-		
Approval with PNEUMATIC braking	-		
Approval with HYDRAULIC braking	-		
PTO	-		
3-point linkage	-		

- Not Available
● Standard
○ Optional

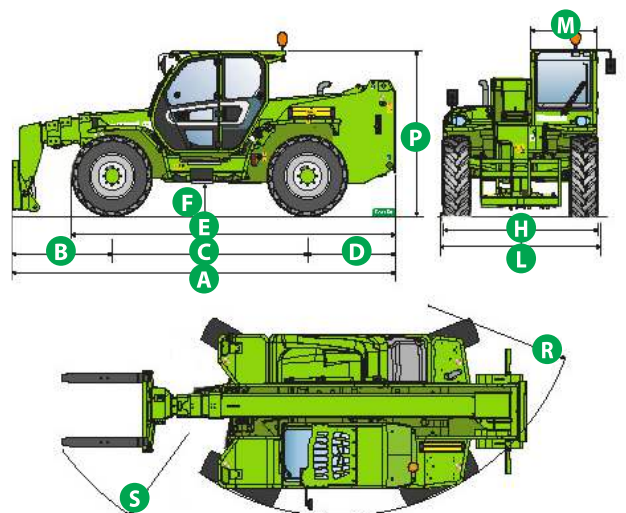
Load charts



Dimensions



	P72.10EE		
A (mm)	5480		
B (mm)	1255		
C (mm)	2920		
D (mm)	1304		
E (mm)	4815		
F (mm)	450		
H (mm)	2240		
L (mm)	-		
M (mm)	1010		
P (mm)	2500		
R (mm)	3970		
S (mm)	4990		



Your Merlo dealer

P72.10EE:

MA00937 - VIN: D2002648 - SAV: D220384 - 17/05/2022

MERLO GROUP AUSTRALIA PTY LTD

27 Colin Jamieson Dve, Welshpool (Perth), WA 6106

Tel. (08) 9358 3110 - Fax (08) 9358 4110

120 Toongabbie Road, Girraween, NSW 2145

Tel. (02) 9688 0600

Tel:1300 657 325

info@merloaustralia.com.au

www.merlo.com

