

High Capacity Telehandlers

TF65.9TCS-170EE-HF



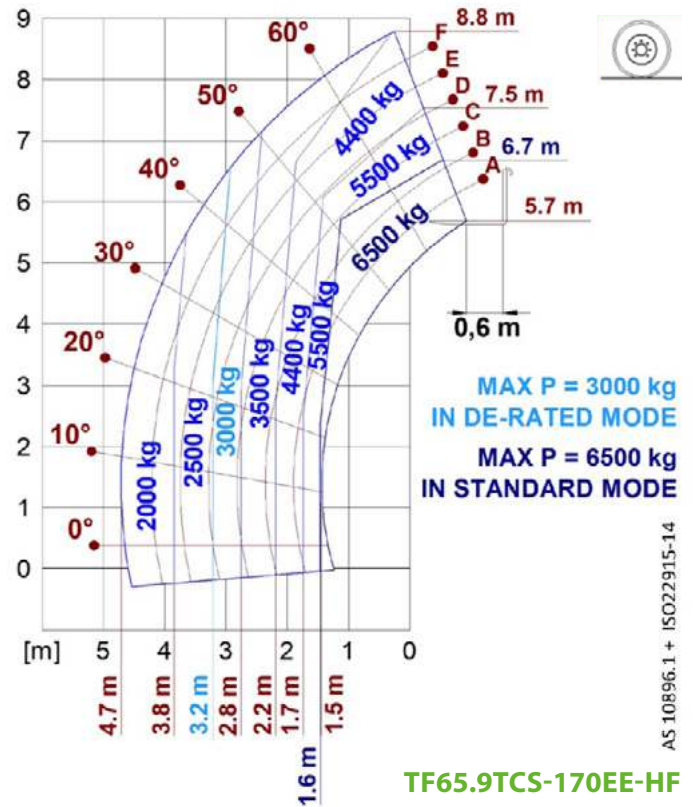


PERFORMANCE AND FEATURES	TF65.9TCS-170EE-HF		
Performance			
Total unladen weight (kg)	11200		
Maximum capacity (kg)	6500		
Lifting height (m)	8.8		
Maximum reach (m)	4.7		
Maximum operating height (m)	7		
Maximum operating reach (m)	1.5		
Capacity at maximum height (kg)	4500		
Capacity at maximum reach (kg)	2000		
Lateral boom movement (mm)	-		
Tilting correction (%)	+/-8		
Boom sections	2		
PowerTrain			
Turbo motor	FPT NEF45		
Displacement/cylinders	4500/4		
Engine Power (kW/HP)	125/170		
Anti-pollution technology	TIER 2		
Reversible fan	○		
Maximum speed (km/h)	40		
Fuel tank (l)	140		
AdBlue tank (l)	-		
Hydrostatic transmission	● - 2V		
EPD	Plus		
Auto-revving joystick	●		
Axles - Reducers	Axial, Epicyclic		
Machine brakes	Dry disc		
Automatic parking brake	●		
Hydraulic			
Hydraulic pump	HF*		
Flow rate/pressure (l/min - bar)	160 - 250		
Hydraulic tank	100		
Hydraulic outlet at the top of the boom	●		
Rear hydraulic outlets	○		
Cab			
Cab configuration	Premium		
ASCS Adaptive Stability Control System	Full		
FOPS LIV II cab	●		
ROPS cab	●		
Cab commands	Electronic joystick		
Tilting Cab	-		
Reverse shuttle	Dual reverse		
Configuration			
Cab suspension	●		
Boom suspension	●		
Suspension on axles	-		
Work headlights on cab	●		
Sun blind	●		
Tac-lock	●		
Provision for a platform	-		
Two floating forks	●		
Inching-Control	●		
Four-wheel drive	●		
Four-wheel steering	●		
Three steering modes	●		
Standard tyres	500/70-R24		
Optional tyres	500/70-24; 600/55-26.5		
Stabilisers	-		
Turret rotation	-		
Type approval as an agricultural tractor	○		
Approval with PNEUMATIC braking	○		
Approval with HYDRAULIC braking	○		
PTO	-		
3-point linkage	-		

*LS + FS + oversized distributor

- Not Available
● Standard
○ Optional

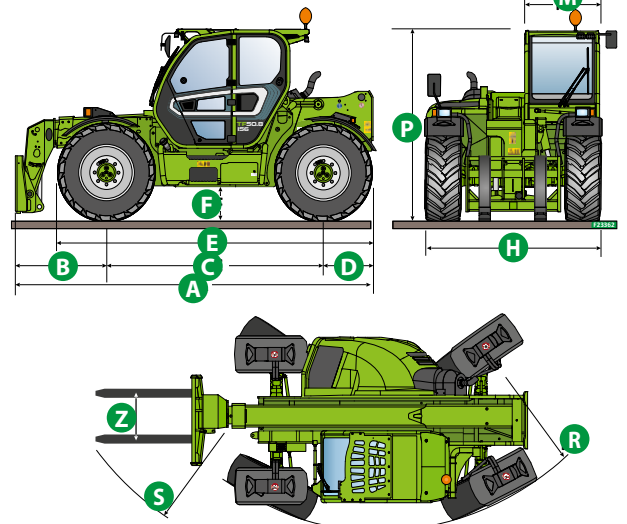
Load charts



Dimensions



	TF65.9TCS-170EE-HF		
A (mm)	5260		
B (mm)	1270		
C (mm)	3050		
D (mm)	940		
E (mm)	4660		
F (mm)	440		
H (mm)	2400		
M (mm)	1010		
P (mm)	2510		
R (mm)	4560		
S (mm)	5325		
Z (mm)	850		



Your Merlo dealer

TF65.9TCS-170EE-HF:

___ - VIN: ___ - SAV: ___ - ___

MERLO GROUP AUSTRALIA PTY LTD

27 Colin Jamieson Dve, Welshpool (Perth), WA 6106

Tel. (08) 9358 3110 - Fax (08) 9358 4110

120 Toongabbie Road, Girraween, NSW 2145

Tel. (02) 9688 0600

Tel:1300 657 325

info@merloaustralia.com.au

www.merlo.com

