

# Rotating Telehandlers

ROTO70.24SPLUSEE4

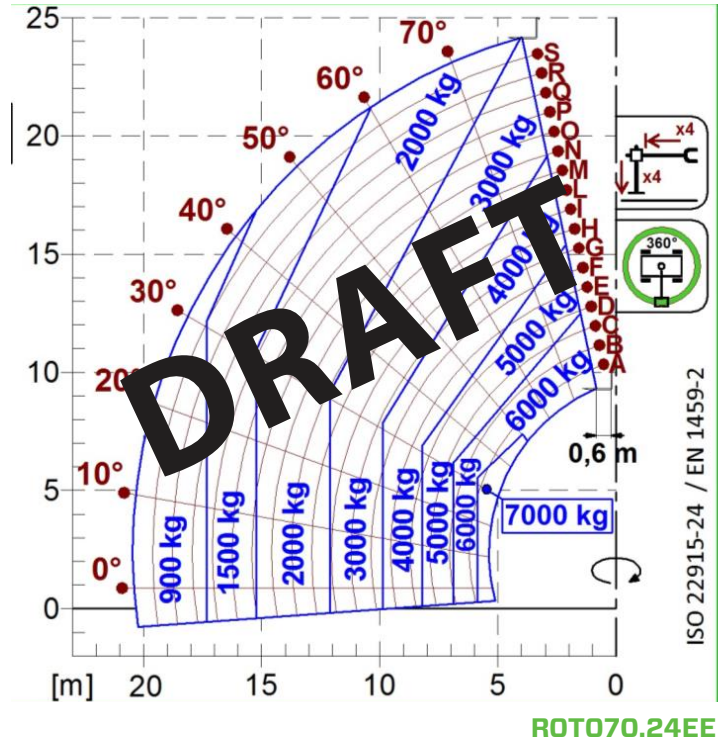
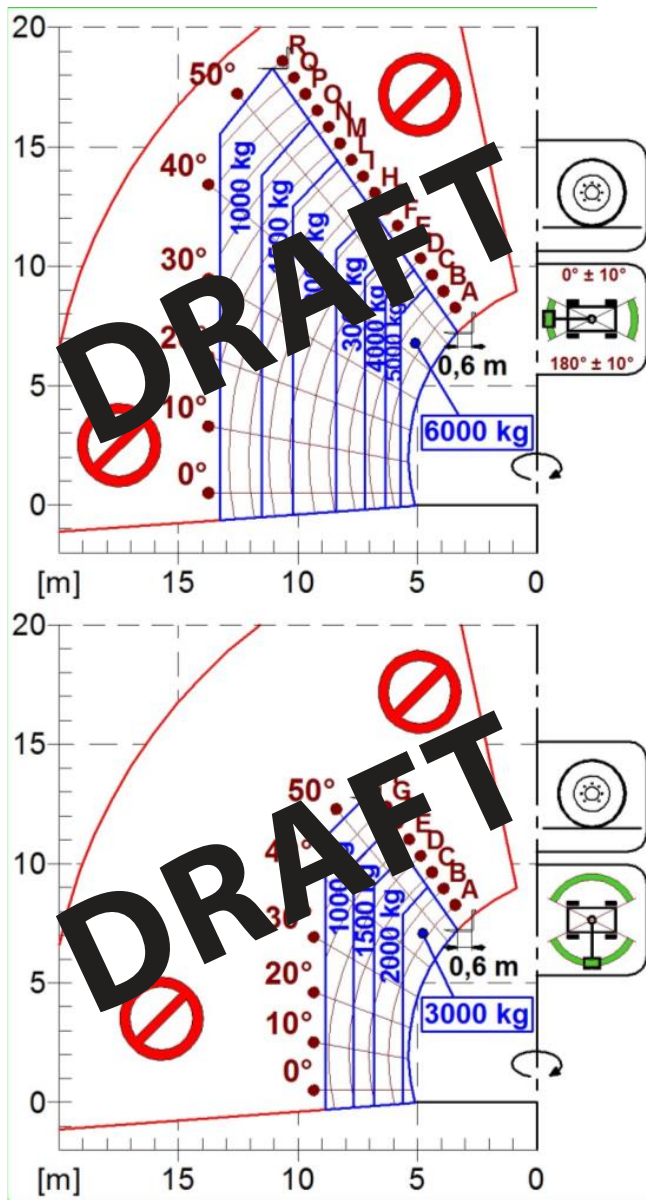


 **MERLO**



PERFORMANCE AND FEATURES	ROTO70.24SPLUSEE4		
<b>Performance</b>			
Total unladen weight (kg)	20200		
Maximum capacity (kg)	TBD		
Lifting height (m)	TBD		
Maximum reach (m)	TBD		
Maximum operating height (m)	TBD		
Maximum operating reach (m)	TBD		
Capacity at maximum height (kg)	TBD		
Capacity at maximum reach (kg)	TBD		
Lateral boom movement (mm)	-		
Tilting correction (%)	± 12; ± 4		
Boom sections	5		
<b>PowerTrain</b>			
Turbo motor	FPT NEF45		
Displacement/cylinders	4500/4		
Engine Power (kW/HP)	125/170		
Anti-pollution technology	TIER 4 - SCR + DOC		
Reversible fan	-		
Maximum speed (km/h)	40		
Fuel tank (l)	150		
AdBlue tank (l)	43		
Hydrostatic transmission	● - 2V		
EPD	●		
Auto-revving joystick	●		
Axles - Reducers	Drop portal - RR700		
Machine brakes	Dry discs		
Automatic parking brake	●		
<b>Hydraulic</b>			
Hydraulic pump	2 - LS + FS		
Flow rate/pressure (l/min - bar)	138+100 - 250/230		
Hydraulic tank	120		
Hydraulic outlet at the top of the boom	●		
Rear hydraulic outlets	-		
<b>Cab</b>			
Cab configuration	Premium		
ASCS Adaptive Stability Control System	Full		
FOPS LIV II cab	●		
ROPS cab	●		
Cab commands	Electronic joystick control		
Tilting Cab	●		
Reverse shuttle	Dual Reverse		
<b>Configuration</b>			
Cab suspension	-		
Boom suspension	○		
Suspension on axles	●		
Work headlights on cab	○ - Led		
Sun blind	●		
Tac-lock	●		
Provision for a platform	●		
Two floating forks	●		
Inching-Control	-		
Four-wheel drive	●		
Four-wheel steering	●		
Three steering modes	●		
Standard tyres	445/65 R22.5		
Optional tyres	-		
Stabilisers	Multiposition		
Turret rotation	continuous		
Type approval as an agricultural tractor	-		
Approval with PNEUMATIC braking	-		
Approval with HYDRAULIC braking	-		
PTO	-		
3-point linkage	-		

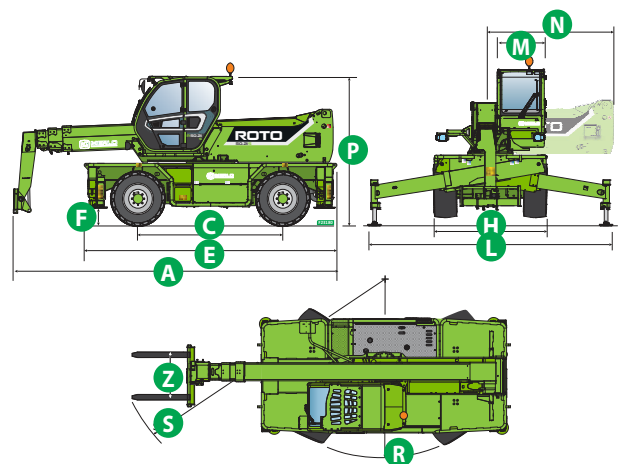
- Not Available  
● Standard  
○ Optional

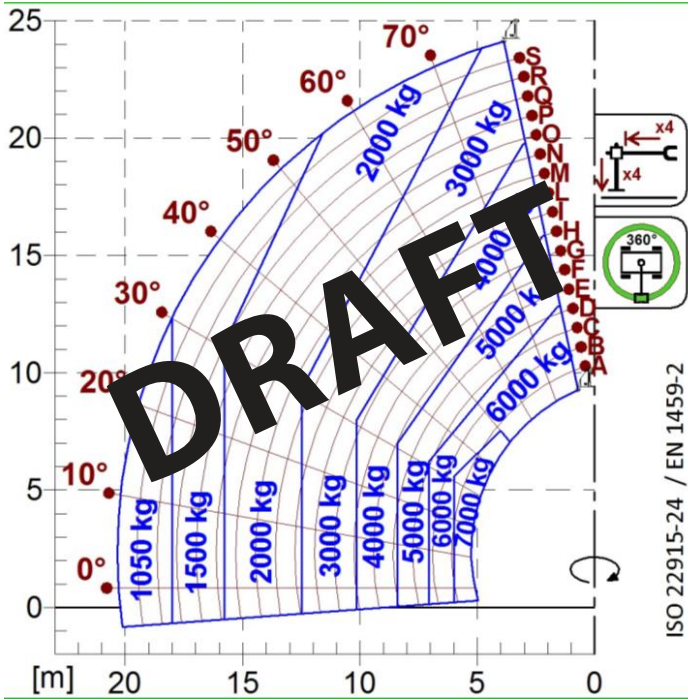


Dimensions

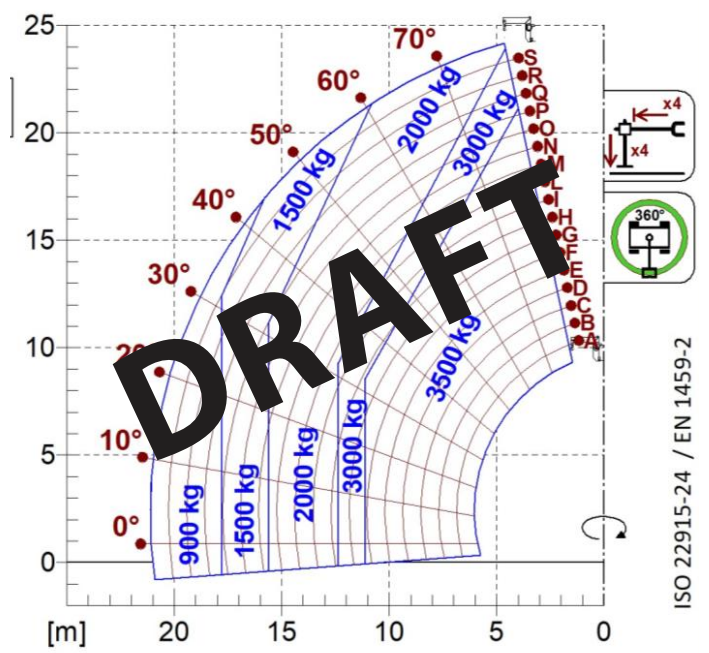


	ROTO70.24 SPLUSEE4		
A (mm)	7545		
C (mm)	3200		
E (mm)	5620		
F (mm)	290		
H (mm)	2490		
L (mm)	5010		
M (mm)	1010		
N (mm)	3170		
P (mm)	3160		
R (mm)	4500		
S (mm)	6770		
Z (mm)	850		

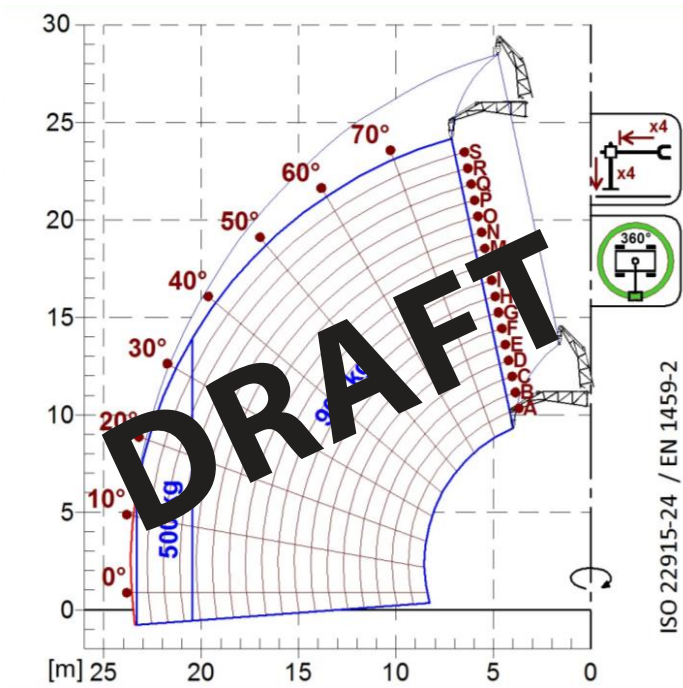




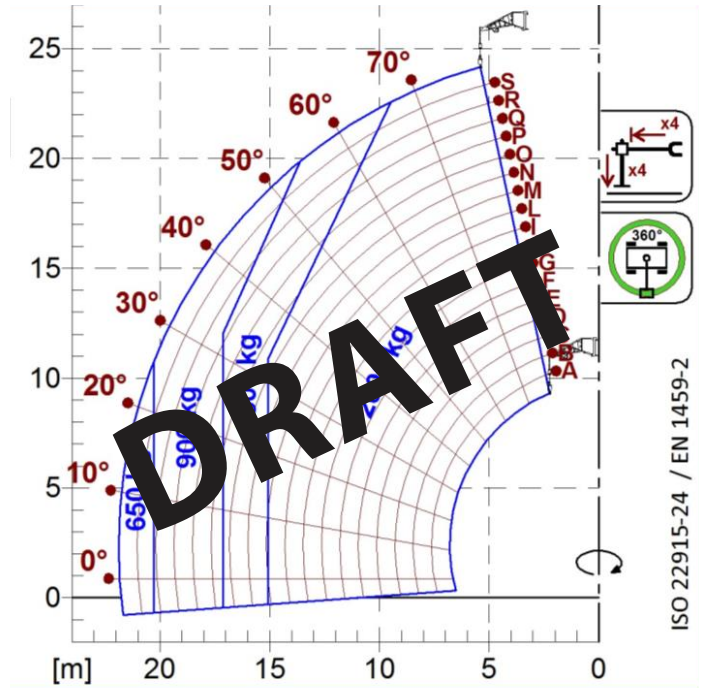
A1001



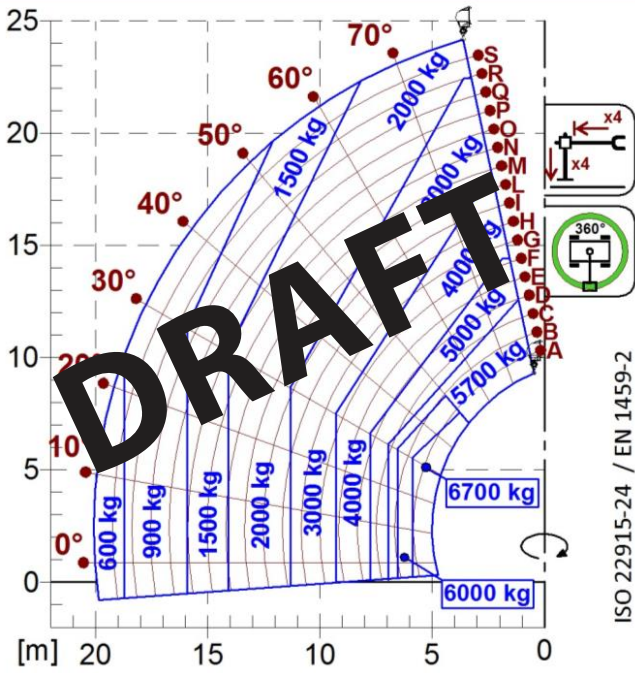
A1119B



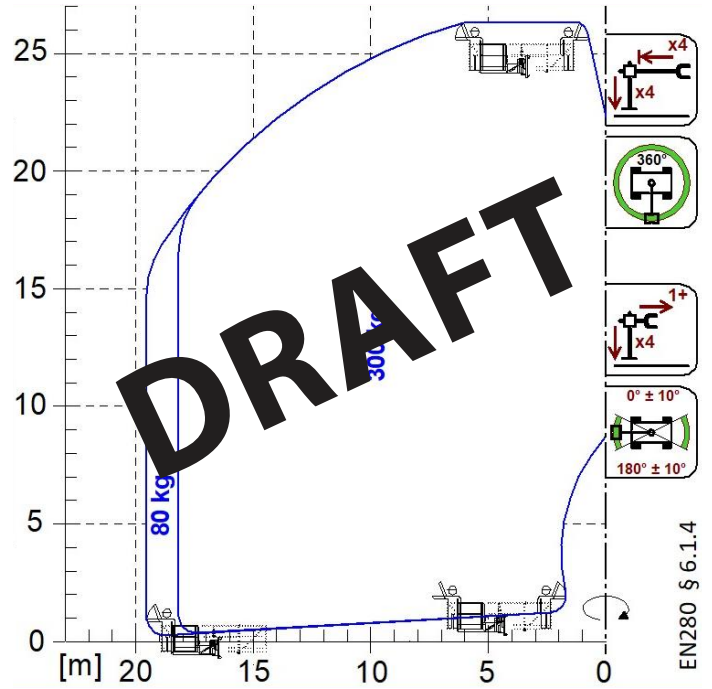
A1220B  
A1320B



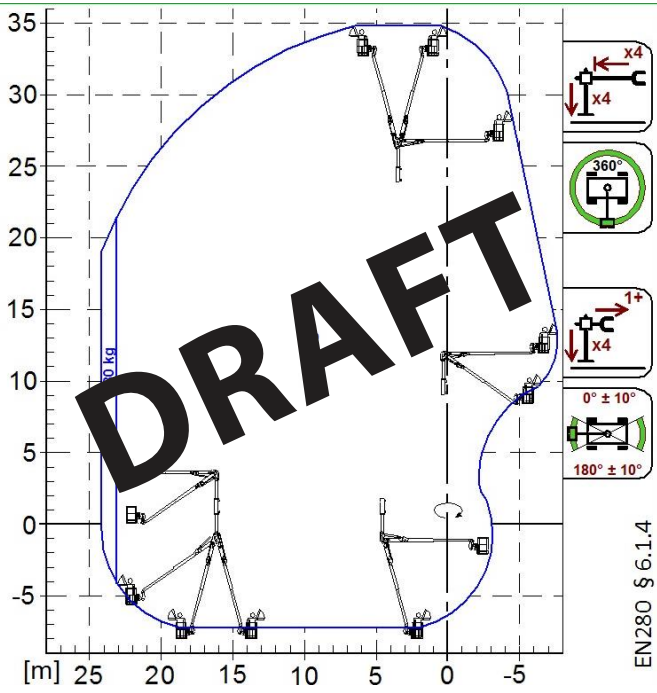
A1321B



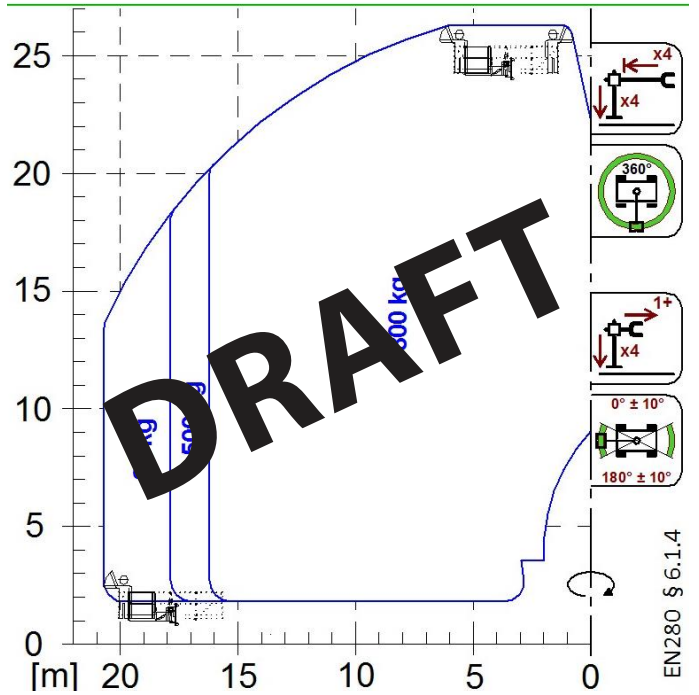
A2768  
A2769



A1827A  
A1839A

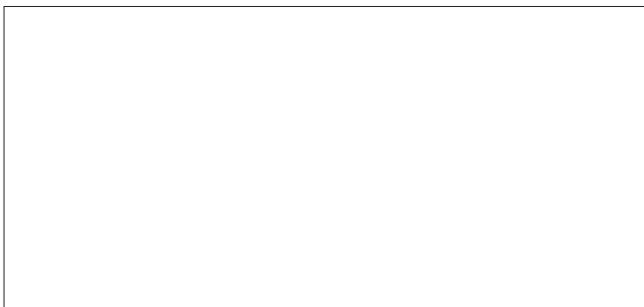


A1873A



A1831A

**Your Merlo dealer**



**ROTO70.24SPLUSEE4:**

MA00850 - VIN: D0003471 - SAV: D041342 - 28/10/2020

**MERLO GROUP AUSTRALIA PTY LTD**

27 Colin Jamieson Dve, Welshpool (Perth), WA 6106

Tel. (08) 9358 3110 - Fax (08) 9358 4110

120 Toongabbie Road, Girraween, NSW 2145

Tel. (02) 9688 0600

Tel:1300 657 325

[info@merloaustralia.com.au](mailto:info@merloaustralia.com.au)

[www.merlo.com](http://www.merlo.com)

